

UNIVERSAL SQUARE

Instruction Manual [©]

How to use many of the Universal Square Features.

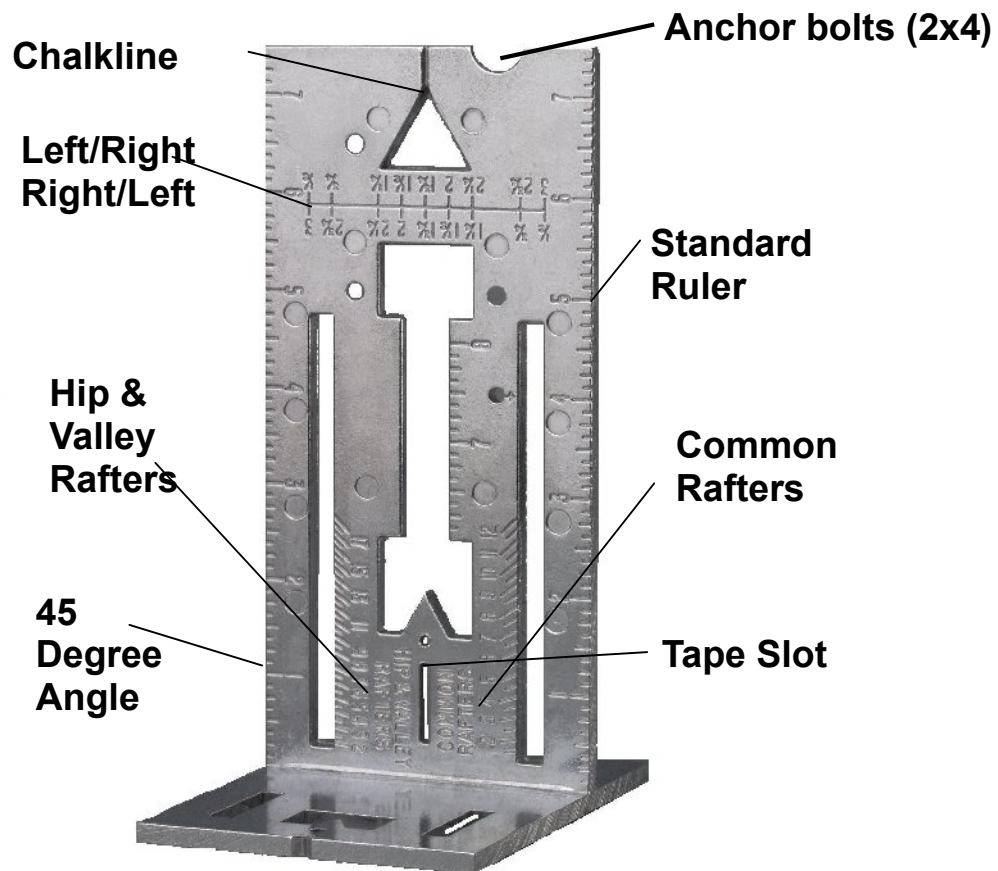


Table of Contents

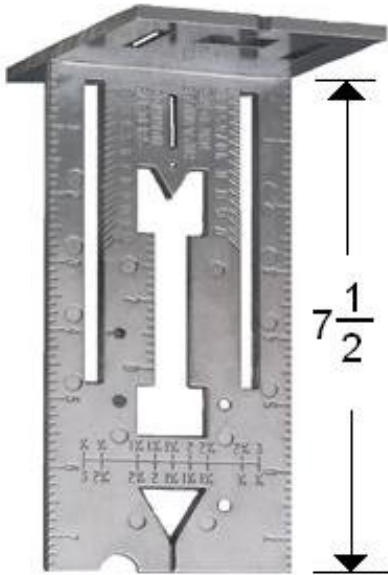
UNIVERSAL SQUARE Dimensions:

Cutouts/Fractions.....	1
Common Rafters/Hip & Valley Rafters.....	2
Fractions.....	3
Ruler.....	4

UNIVERSAL SQUARE Usage

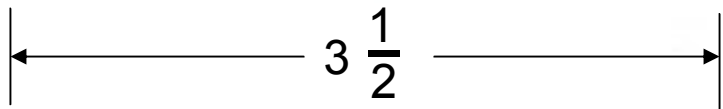
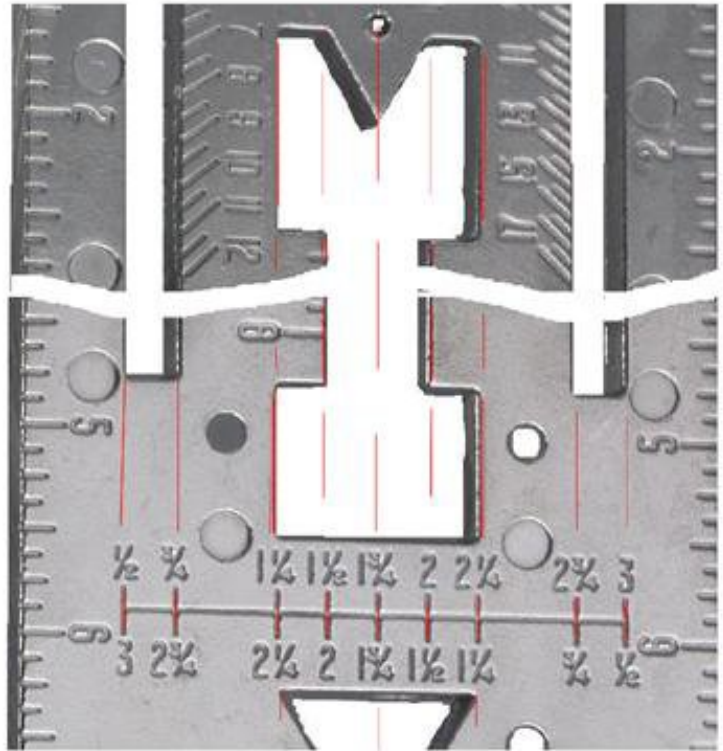
Line up boards.....	5
Straight cut/Circular saw.....	6
2x4 Ripping in half.....	7
Marking around 4x4/Corners.....	8
Tape Measure Assistance.....	9
Mark 2x4 Anchor Bolt.....	10
Square window and doors.....	11
2x4 Corner Foundation.....	12
2x6 Corner Foundation.....	13-14
2x8 Corner Foundation.....	15
2x4 Center Markings.....	16
2x6 Center Markings.....	17
Chalk line Assistance.....	18
Various ways to mark stud, middle partition, corner walls.....	19
2x4 Corner Stud Marking.....	20-21
2x6 Corner Stud Marking.....	22
2x4 Corner Stud Marking.....	23
2x6 Middle Partition.....	24
Common Rafter.....	25-26
Various Angles (example 45 degree).....	27
Illustrations.....	28-29
Other Uses (Fences and Decks).....	30
How to carry the Universal Square.....	31

Cutouts/Fractions



The fractions correspond with the cutouts for quick and easy measuring and marking.

$1\frac{3}{4}$ is the center. Half of a 2x4.



Exact width of a 2x4

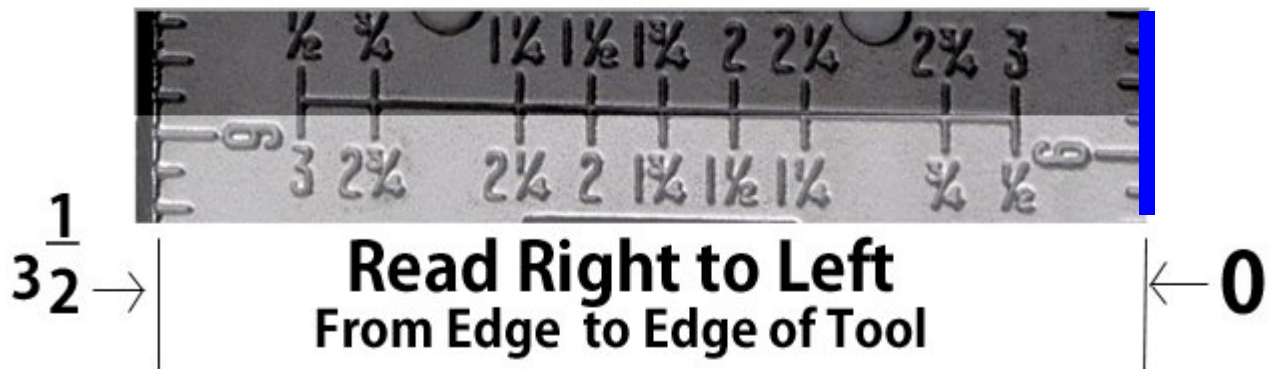
The cutouts on bottom of the Universal Square also correspond with the fractions for easy pencil markings.



Fractions

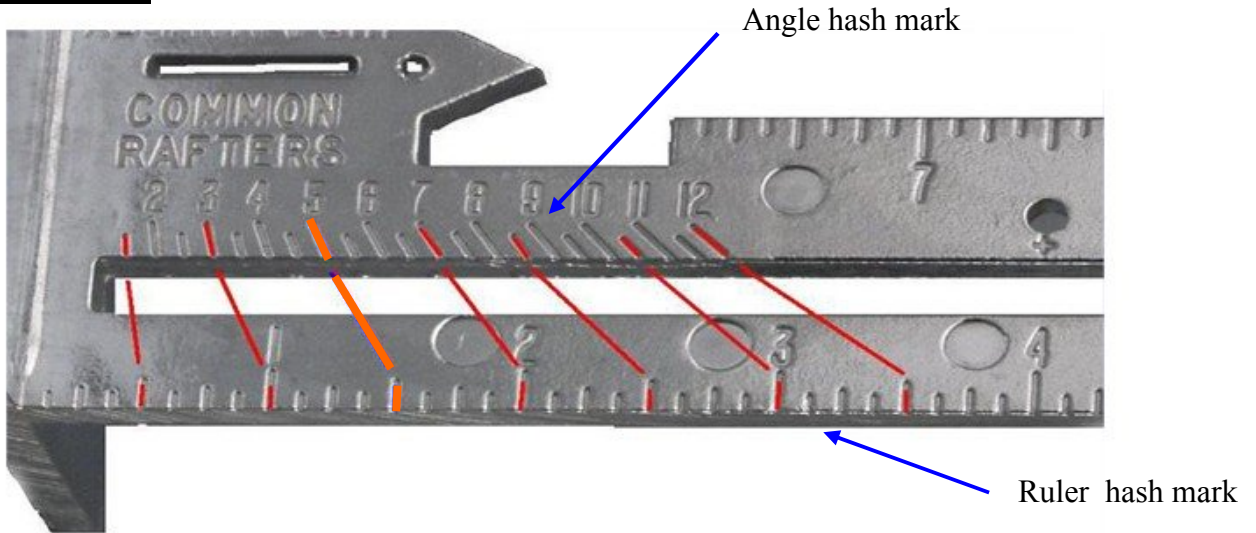


or



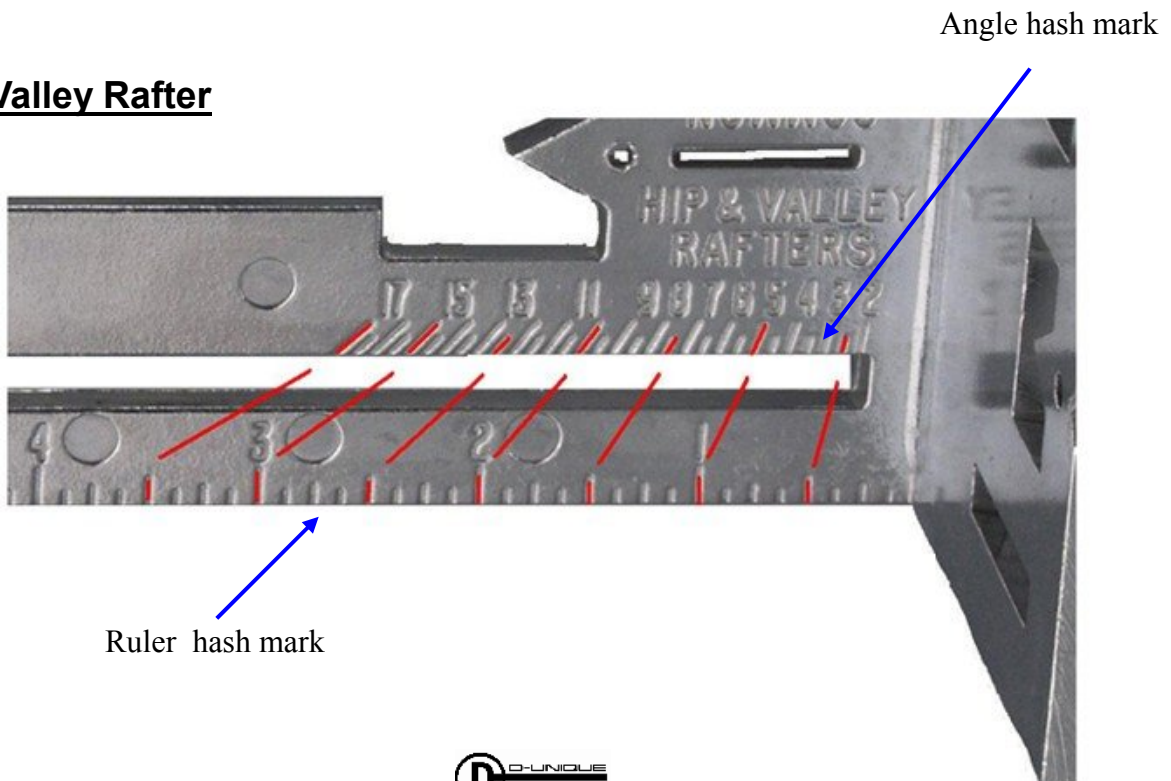
Common Rafters/ Hip & Valley Rafters (Dimension)

Common Rafter



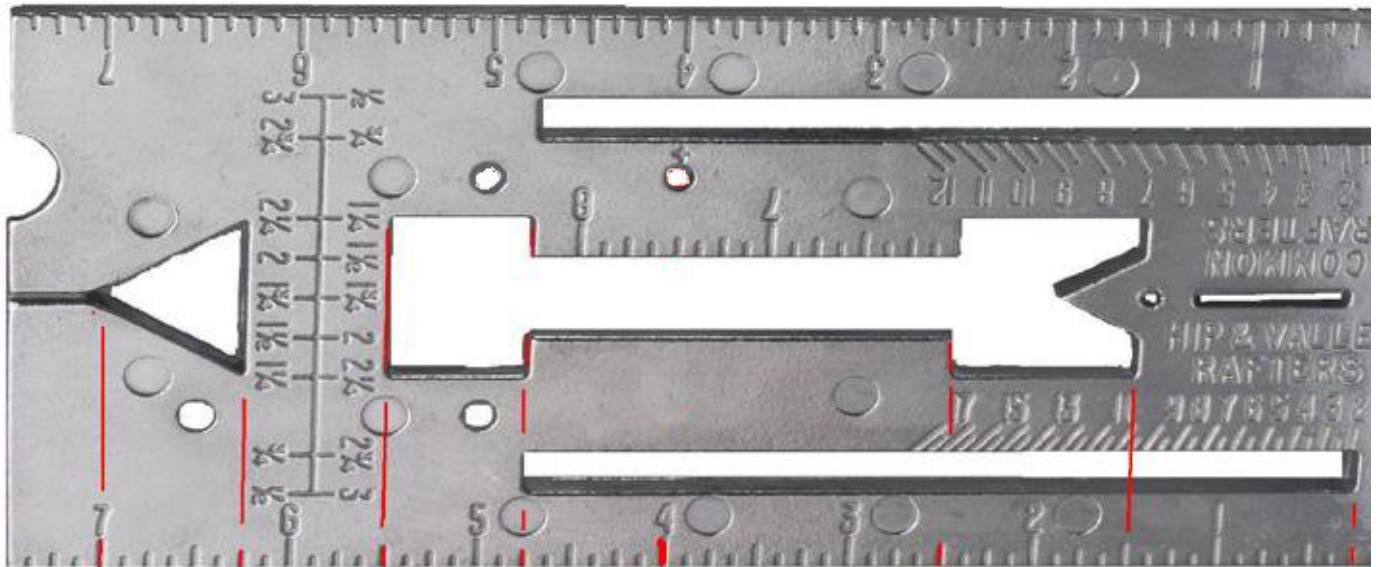
Each angle hash mark correspond with a ruler hash mark when it is lined up with the edge of a board and pivoted.

Hip & Valley Rafter



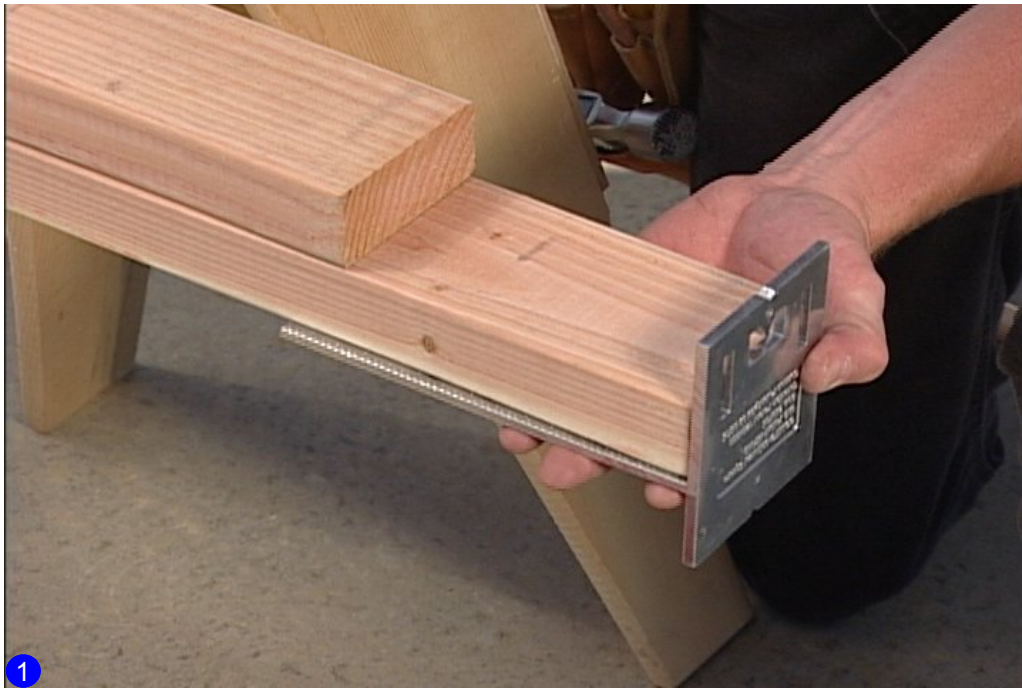
Ruler

The Ruler is 7 1/2 inches. Exact width of an 2x8.

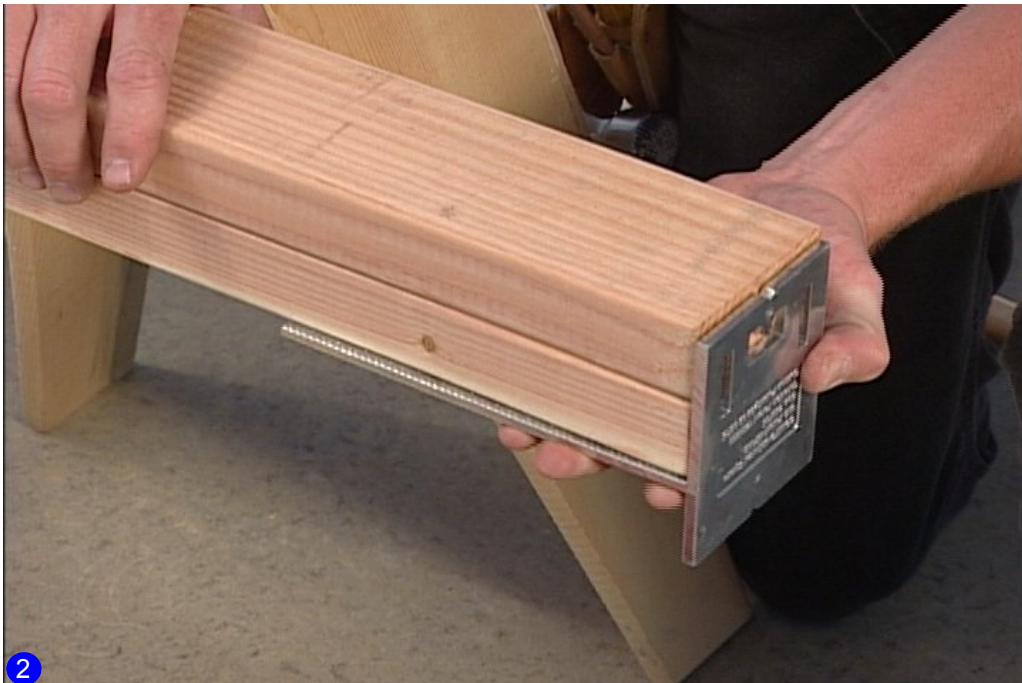


Ruler Hash Marks also correspond with cutouts.

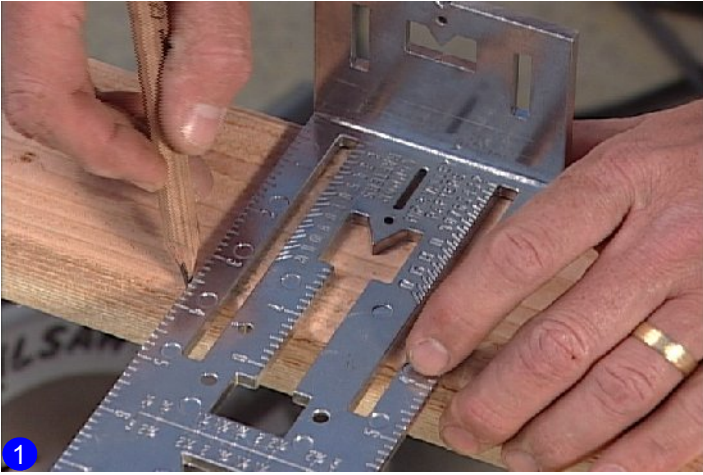
Line up boards



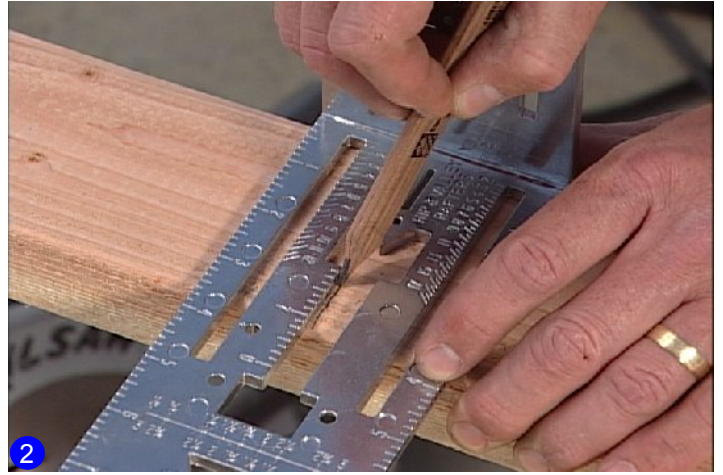
Place the Universal Square flush against a board, then move the other board against the tool.



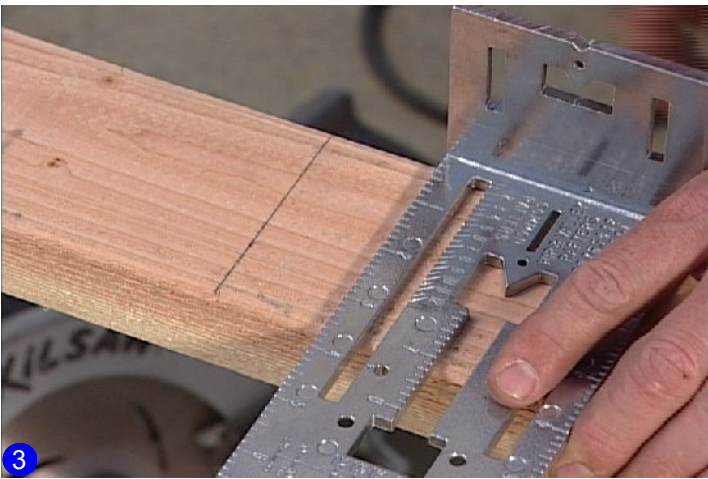
Straight cut/Circular saw



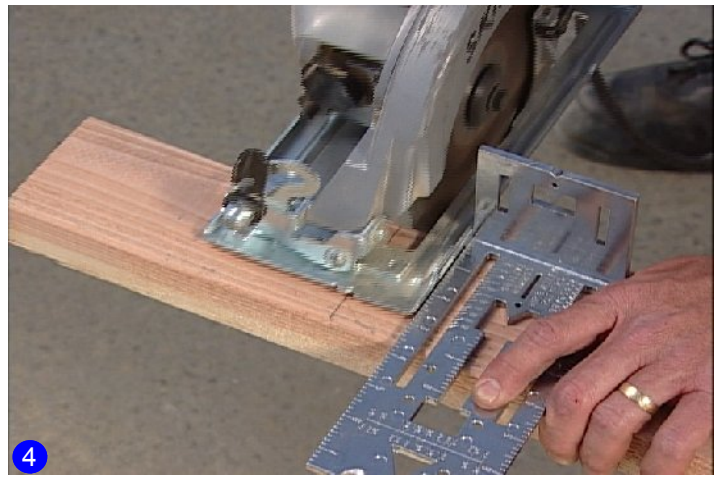
Place tool flush against board. Make cut mark.



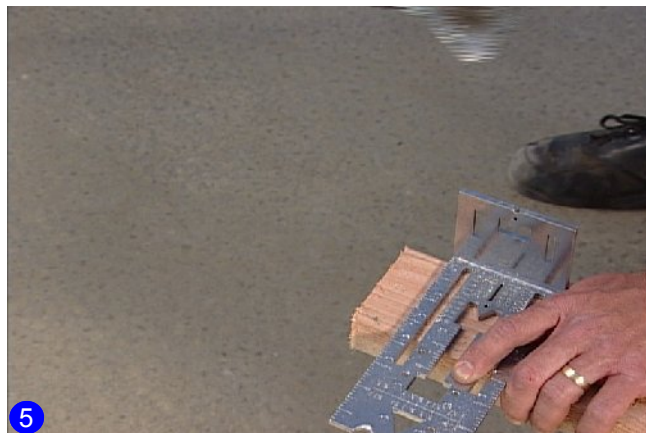
Make second mark at the 1 1/2 cutout.



Move edge of tool to the second mark.

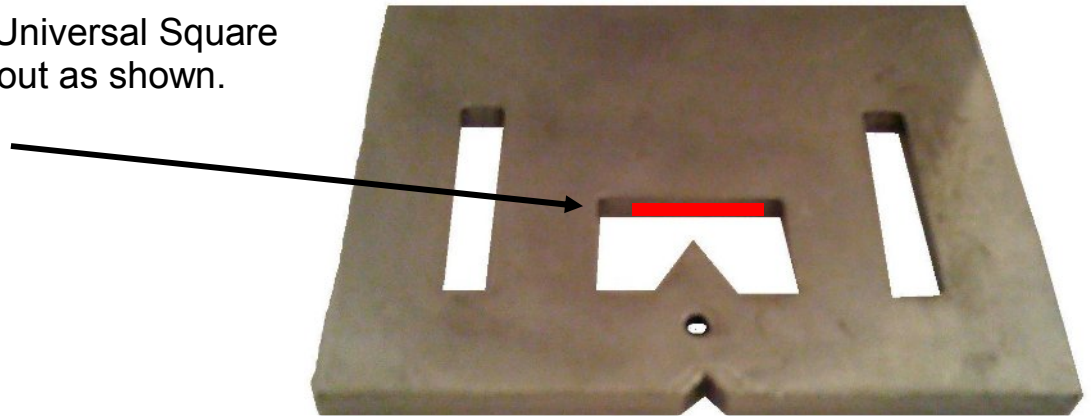


Place circular saw against the Universal Square and make a straight cut.



Ripping 2x4 in Half

Face the bottom of the Universal Square upward. Locate the cutout as shown.



Place the tool flush against the 2x4. Place pencil at cutout and mark by moving the tool and pencil along board

Marking around 4x4/Corners



Place the Universal Square flush against the 4x4. Make marks. Rotate board. Line up tool with previous marks. Complete the marks.



Tape Measure Assistance.



Example: 16" on center marks
According to your plan, measure and make first 16" on center mark.



Place tool flush against board. Line up tool's center with previous mark. Tap a nail into the tool's center hole.



Place tape measure in the slot.



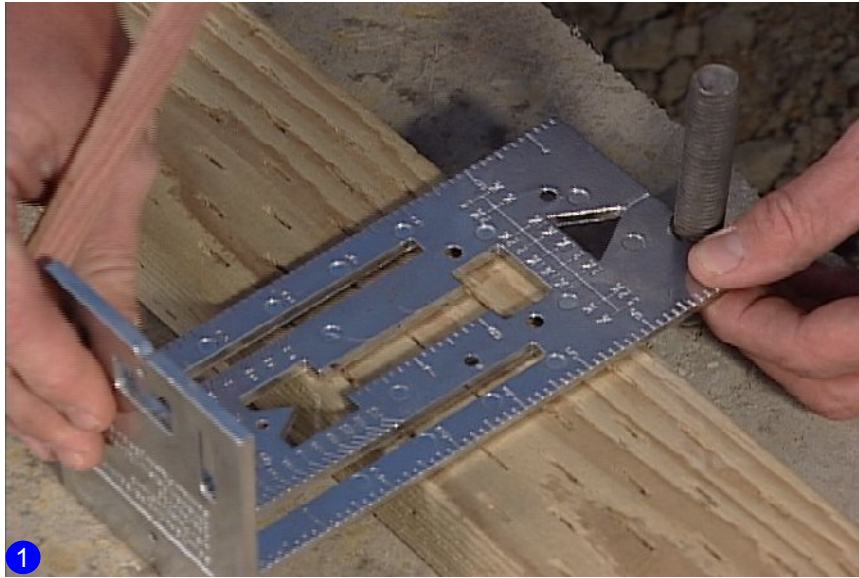
As the Universal Square holds one end of the tape measure, measure and mark for 16" on center.



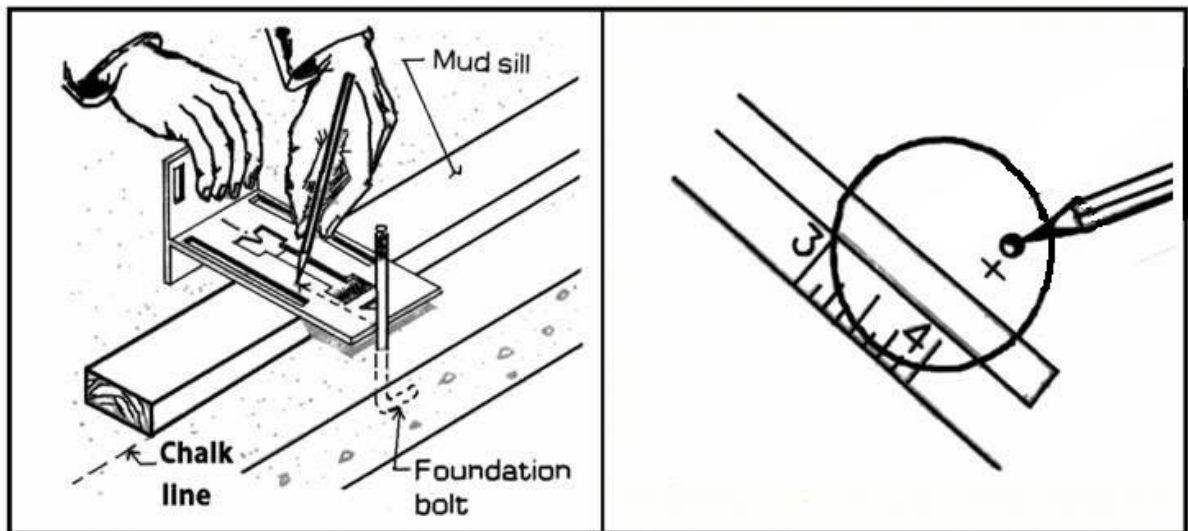
Remove nail and tape measure. Complete by lining up tool with previous marks, then marking both top and bottom plate.



Mark for Anchor Bolt (2x4)



Transfer the anchor bolt locations to sill plate by placing the half moon shape at the tip of the tool to the bolt...



... then mark at the hole marked {+}; with out using a tape measure.

